

# WLAN Access Point Series 7145/5



www.stahl.de



12691E00

- > Compact WLAN access point enables communication with portable devices such as barcode scanner, cameras, PDAs in Zone 2 / Div. 2
- > Open standard conforms to 802.11a/b/g (802.11 n on request)
- > Robust and compact design for use in industrial environment
- > Temperature range -40 ... +60 °C
- > Flexible design for use in Zones 2, 22
- > Field enclosures made of stainless steel with IP65



A6

The ISwireless WLAN access point Series 9710 is an access point for industrial use which has an Ethernet 100 Base-T connection. The device has a bit rate of up to 54 Mbit/s and supports the standards IEEE 802.11b/g (2.4 GHz ISM band) and 802.11a (5 GHz ISM band). Since it has been designed for the international use, it has many features which qualify it for the industrial use in the process industry. Applicability for hazardous areas, IGMP Snooping, repeater mode, an OPC server diagnostics, extended temperature range and high vibration resistance. We also offer a version which conforms to 802.11n upon request.

	ATEX					
Zone	0	1	2	20	21	22
Installation in			x			x

Note: NEC solution on request

WebCode 7145D

# WLAN Access Point

## Series 7145/5



### Selection Table

Version	Description	Field enclosure	Order number	Weight kg
WLAN access point Series 7145/5	integrated in enclosure	made of stainless steel	<b>7145/5 - . . . WLAN Access Point acc. Spec.</b>	2.400

### Explosion Protection

#### Europe (ATEX)

Gas and dust	PTB 09 ATEX 1129 Ⓢ II 3 G Ex nA IIC T5 Gc Ⓢ II 3 D Ex tb IIIC T130 °C Dc
--------------	--

#### Certifications and certificates

Certificates	ATEX
--------------	------

#### Further parameters

Installation	in Zones 2 and 22
--------------	-------------------

### Technical Data

#### Wireless

Frequency band	802.11b, g: 2.412 ... 2.472 GHz (ETSI), 2.412 ... 2.462 GHz (FCC) 802.11a: 5.150 ... 5.250 GHz (FCC / ETSI), 5.725 ... 5.850 GHz (FCC)
Radio standards	802.11a, 802.11b, 802.11g, 802.11i
Radio licence	FCC part 15, ICES-003, Class A digital apparatus RTT&E, ETS 300-826, ETS 300-328, EN 60950
Use approved in	EU, Russia, Australia, New Zealand, UAE further local certificates on request
Data rates (modulation)	802.11b: 11, 5.5, 2, 1 Mbit/s (DSSS - BPSK, QPSK, CCK) 802.11g: 54, 48, 36, 24, 18, 12, 9, 6 Mbit/s (OFDM) 802.11a: 54, 48, 36, 24, 18, 12, 9, 6 Mbit/s (OFDM)
Receiver sensitivity (typical)	- 90 dBm @ 1 Mbit/s - 85 dBm @ 11 Mbit/s - 82 dBm @ 24 Mbit/s - 75 dBm @ 54 Mbit/s
Channel selection	802.11b, g: 1 ... 13 802.11a: 36, 40, 44, 48, 149, 153, 157, 161, 165
Safety / Encoding	WPA2 - 802.11i with 128 bit AES-CCM Legacy WPA TKIP, WEP support MAC ID filter administrator password
Antenna diversity	yes
Configuration	using the integrated web server
Monitoring	using the integrated OPC server

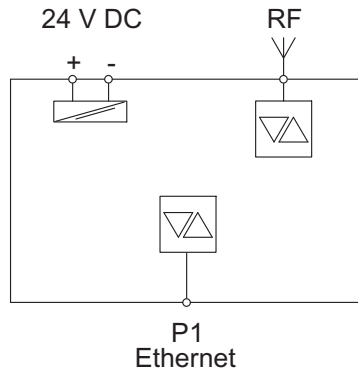
#### Interfaces

Ethernet	10/100 Base-T connection, RJ45 screened IEEE 802.3, 802.3u, 802.3x
Antenna	2 x RP-SMA sockets

**Technical Data**

**Electrical data**

Auxiliary power	
Rated voltage	24 V DC
Voltage range	9 ... 28.8 V DC
Power input	6 W
Power Over Ethernet	according to 802.3 af
Connection diagram	24 V DC



17255E00

**Ambient conditions**

Ambient temperature	-40 ... +60 °C
Storage temperature	-40 ... +80 °C
Relative humidity (no condensation)	≥ 90 %

**Mechanical data**

Degree of protection	IP65
Field enclosure	
Enclosure material	enclosure Series 8150: stainless steel
Dimensions	[mm] (W x H x D)
	fitted in enclosure Series 8150: 236 x 178 x 91
Weight	fitted in enclosure Series 8150: approx 2.7 kg

A6

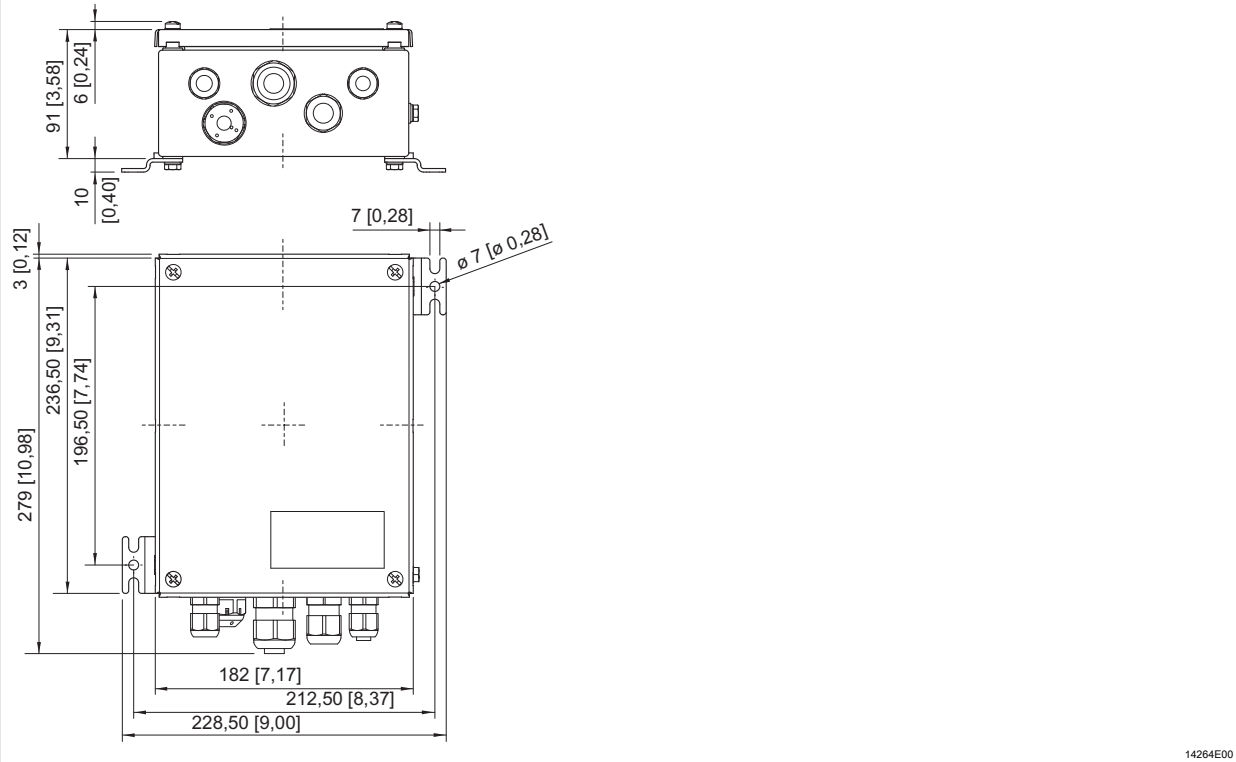
**Accessories and Spare Parts**

Designation	Description	Art. no.	Weight kg
Antennas	omnidirectional, 2.4 GHz ISM band 6 dBi antenna gain	<b>207405</b>	0.370
	omnidirectional, 5 GHz ISM band 6 dBi antenna gain	<b>207406</b>	0.200
	omnidirectional, 2.4 / 5 GHz ISM band 6/8 dBi antenna gain	<b>207407</b>	0.370
	mounting kit for antenna	<b>207408</b>	0.160
	Antennas for use in the offshore applications are available on request.		
Coaxial cable	Antenna - RP-SMA device / N-plug 1.5 m	<b>207411</b>	0.110
	Antenna - RP-SMA device / N-plug 3 m	<b>207410</b>	0.110
	Antenna - RP-SMA device / N-plug 6 m	<b>207409</b>	0.110
Antenna barrier / HFIsolator	Enclosure bushing and Exi limitation of antenna signal N-type socket for external connection The use of the antenna barrier requires a customer-specific adjustment of the enclosure: opening for n-type socket.	<b>248629</b>	0.173

# WLAN Access Point Series 7145/5



**Dimensional Drawings** (All Dimensions in mm [inches]) - Subject to Alterations



14264E00

## Series 7145/5-0236-0176-091-2311 WLAN Access Point

We reserve the right to make alterations to the technical data, dimensions, weights, designs and products available without notice. The illustrations cannot be considered binding.