

Signal Horn 105 dB (A)

Series 8491/1, 8491/2



- > Fixed signal tone
- > Volume max. 105 db (A) / 1 m
- > Installation by means of angle mounting
- > AC and DC versions
- > **Signal horn Series 8491/1**
 - with trumpet and connection cable
- > **Signal horn Series 8491/2**
 - compact design with connection chamber and cable gland

www.stahl.de



10616E00



E5

The signal horns Series 8491 are audio signalling devices designed to warn, call and indicate in hazardous areas. They are made of a robust PC/ABS blend. The horns generate a sound level of approximately 105 db (A) at a distance of 1 m. Installation is realised by means of angle mounting.

The versions of Series 8491/1 have been developed for use in areas with an explosive gas atmosphere. They have a trumpet for optimum sound concentration as well as a connection cable.

The compact signal horns Series 8491/2 have a connection chamber and can be used indoors and outdoors in areas with explosive gas atmosphere.

Zone	ATEX					
	0	1	2	20	21	22
8491/1: For use in		x	x			
8491/2: For use in		x	x		x	x



WebCode 8491A

Signal Horn 105 dB (A)

Series 8491/1, 8491/2



Selection Table

Version	Rated operational voltage	Order number	Art. no.	Weight kg
 00446E00	24 V AC, 50 Hz	8491/11-024	145276	1.450
	42 ... 48 V AC, 50 Hz	8491/11-042	145278	1.450
	115 V AC, 50 / 60 Hz 120 V AC, 60 Hz	8491/11-115	145279	1.450
	230 V AC, 50 Hz	8491/11-230	145280	1.450
	24 V DC	8491/15-024	145275	1.450
	 10614E00	24 V AC, 50 Hz	8491/21-024	145282
42 ... 48 V AC, 50 Hz		8491/21-042	145283	1.500
115 V AC, 50 / 60 Hz 120 V AC, 60 Hz		8491/21-115	145284	1.500
230 V AC, 50 Hz		8491/21-230	145285	1.500
24 V DC		8491/25-024	145281	1.500

Explosion Protection

	8491/1	8491/2
Europe (ATEX)		
Gas and dust	BVS 03 ATEX E 159 X EN60079-0:2012 EN60079-18:2009 ⊕ II 2 G Ex mb IIC T5 Gb --	BVS 03 ATEX E 159 X EN60079-0:2012 EN60079-7:2007 EN60079-18:2009 EN60079-31:2009 ⊕ II 2 G Ex e mb IIC T5 Gb ⊕ II 2 D Ex tb IIIC T70°C Db IP65
Certifications and certificates		
Certificates	ATEX, China (China-Ex), India (PESO), Kazakhstan (operating authorisation), Russia (GOST R), Ukraine (TR), Belarus (operating authorisation)	ATEX, China (China-Ex), Kazakhstan (operating authorisation), Ukraine (TR), Belarus (operating authorisation)

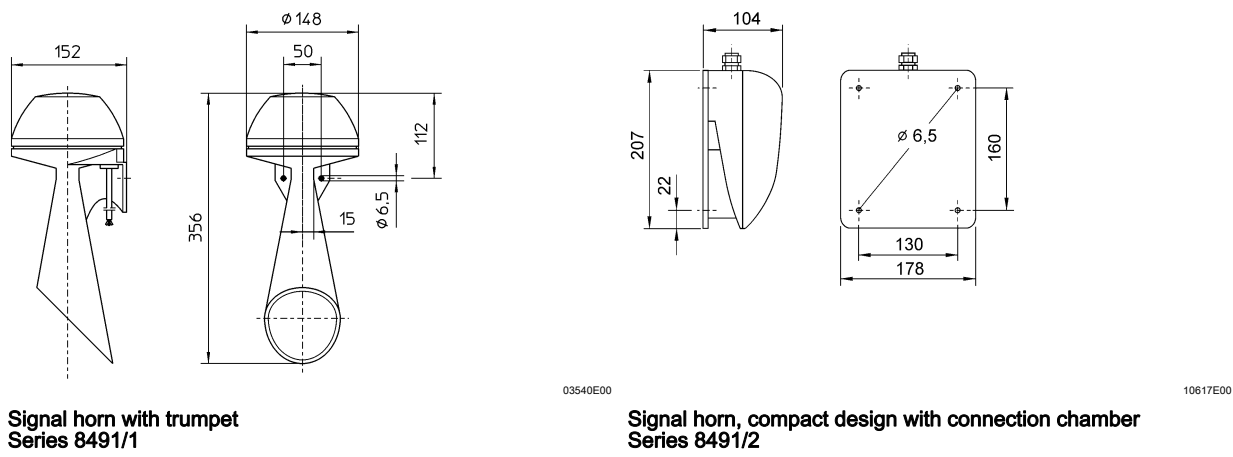
Technical Data

Electrical data				
Rated operational voltage	see selection table			
Back-up fuse	at rated operational voltage	fuse nominal value	rated operational current	back-up fuse type 8560*
	24 V AC, 50 Hz	630 mA	450 mA	8560/51-4153
	42 ... 48 V AC, 50 Hz	315 mA	200 mA	8560/51-4153
	115 V AC, 50 / 60 Hz	315 mA	205 mA	8560/51-4113
	120 V AC, 60 Hz	315 mA	220 mA	8560/51-4113
	230 V AC, 50 Hz	125 mA	70 mA	8560/51-4073
	24 V DC	500 mA	350 mA	8560/51-4143
Duty cycle	* to be installed into an Ex e enclosure "Increased safety", for example type 8118/113-303 70%			
Acoustic data				
Volume	max. 105 dB (A) / 1 m			
Ambiant conditions				
Ambient temperature	40 ... +50 °C			
Mechanical data				
Degree of protection	8491/1 IP55	8491/2 IP65		
Material	PC/ABS, black			
Enclosure	PC/ABS, black			
Connection type	LAPPTHERM 145, 2 x 0.75 mm ² , 3 m	screw terminal in the connectin chamber max. connection cross-section 2.5 mm ² 1 x M16 cable gland 6.5 ... 9.5 mm cable dia. range		
Mounting / Installation				
Mounting orientation	8491/1 sound direction downwards	8491/2 optional (exception: sound direction not upwards)		

Signal Horn 105 dB (A) Series 8491/1, 8491/2



Dimensional Drawings (All Dimensions in mm) - Subject to Alterations



We reserve the right to make alterations to the technical data, dimensions, weights, designs and products available without notice. The illustrations cannot be considered binding.