

# Flameproof Manual Call Points

## Series MCP



- > Light weight glass reinforced polyester (GRP) Ex d enclosure
- > Weather resistant high performance red paint finish as standard
- > Break glass version supplied with test key
- > Push button version supplied with reset key and lift flap
- > Optional extras include stainless steel lift flap, duty and tag labels

www.stahl.de



13915E00



E5

Yodalex range  
Manual call points designed for use in hazardous or harsh environments

Zone	ATEX / IECEx					
	0	1	2	20	21	22
For use in		x	x		x	x

### Explosion Protection

#### Global (IECEx)

Gas and dust | IECEx BAS 08.0089X  
IEC 60079-0: 2011 / IEC 60079-1: 2007-04 / IEC 60079-31: 2008  
Ex d IIC T6 Ta -55 ... +70°C Gb  
Ex tb IIIC T85°C Ta -55 ... +70°C Db IP66

#### Europe (ATEX)

Gas and dust | Baseefa 08ATEX0269X  
EN 60079-0: 2009 / EN 60079-1: 2007 / EN 60079-31: 2009  
⊕ II 2 G Ex d IIC T6 Ta -55 ... +70°C Gb  
⊕ II 2 D Ex tb IIIC T85°C Ta -55 ... +70°C Db IP66

#### Certifications and certificates

Certificates | IECEx, ATEX, Brazil (INMETRO), India (PESO), Kazakhstan (GOST K), Russia (GOST R)

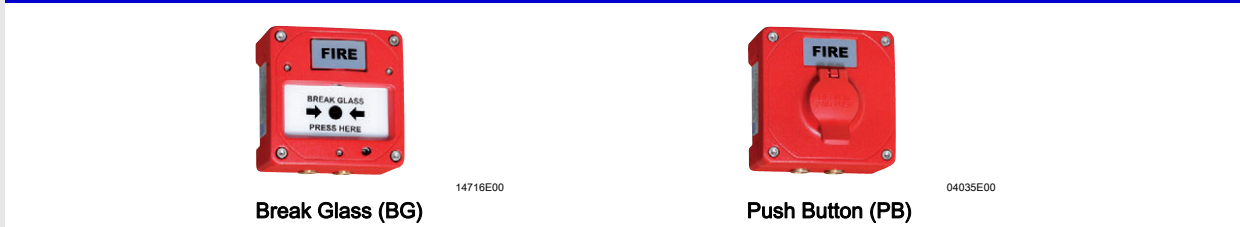
WebCode MCPA

# Flameproof Manual Call Points

## Series MCP



### Versions



### Selection Table

Version	Version	Enclosure colour	Order number	Art. no.	Weight kg
MCP Manual Call Points, ATEX certification, standard devices	Break Glass (BG)	red normal (R)	<b>MCP/BG/SP/Ex/A+B+C+D/EU/R</b>	<b>205324</b>	1.000
	Push Button (PB)	red normal (R)	<b>MCP/PB/SP/Ex/A+B+C+D/EU/R</b>	<b>205334</b>	1.000
MCP Manual Call Points, IECEx certification, standard devices	Break Glass (BG)	red normal (R)	<b>MCP/BG/SP/EX/A+B+C+D/IN/R</b>	<b>212400</b>	1.000
	Push Button (PB)	red normal (R)	<b>MCP/PB/SP/EX/A+B+C+D/IN/R</b>	<b>212401</b>	1.000
MCP Manual Call Points, GOST R certification, standard devices	Break Glass (BG)	red normal (R)	<b>MCP/BG/SP/EX/A+B+C+D/RU/R</b>	<b>212402</b>	1.000
	Push Button (PB)	red normal (R)	<b>MCP/PB/SP/EX/A+B+C+D/RU/R</b>	<b>206660</b>	1.000

Note Accessories, variations and different unit colours are available, to order these please use the table below

### Type Code

Variations	MCP / - / - / - / - / - / - / - / - / - / - / - / - / - / - / - / -															
<b>Version</b>	break glass	BG														
	push button	PB														
<b>Contacts</b>	1 change over	SP														
	2 change over	DP														
<b>Explosion protection</b>	standard	Ex														
<b>Cable entries</b>	standard 4 x M20 with 3 x Ex d stopping plugs and 1 x dust cap glands to be ordered separately	A+B+C+D														
<b>Certification</b>	ATEX	EU														
	IECEX	IN														
	GOST R	RU														
<b>Colour</b>	red	R														
	blue	B														
	green	G														
	yellow	Y														
	black	BK														
	yellow / black stripe	YB														
<b>Accessories</b>	lift flap (break glass version only)	LF														
	end of line resistor	EOL														
	inline resistor	IL														
	end of line and Inline resistor	ILEOL														
	LED signal	LED														
<b>Labels (please specify wording)</b>	duty label	D														
	tag label	T														
<b>Additional approvals</b>		L														

# Flameproof Manual Call Points

## Series MCP



### Technical Data

#### Electrical data

Rated operational voltage	12 ... 50 V DC, 12 ... 250 V AC		
Switching capacity	DC	12 ... 30 V	3 A
		30 ... 50 V	1 A
	AC	12 ... 250 V	5 A
Contact element	standard: 1 change-over contact optional: 2 change-over contacts		
Switch	NO or NC		
System test	Test key provided		

#### Ambient conditions

Operating temperature range	-40 ... +70 °C
-----------------------------	----------------

#### Mechanical data

Material	
Enclosure material	glass fibre reinforced polyester (GRP)
Surface finish	two pack, acrylic polyurethane, various colour options
Degree of protection	IP66 acc. to IEC 60529
Cable entries	4 cable entries, supplied with (3x) Ex d stopping plugs and (1x) dust cap
Position of cable entries	



Break glass call point

13952E00



Break glass call point with lift flap

16555E00



Push button call point

Connection	
Terminals	7 way terminal block., 4 mm <sup>2</sup>
Earth connection	provided as standard
Accessories	
LED status indication	optional: red LED status indication (up to 24 V DC)
Lift flap	stainless steel (break glass version only)
Duty label	Metallised polyester, customer to specify wording / symbols (see main picture for example)
Tag label	Stainless steel tag with polyester label, customer to specify max 9 characters
Resistors	Customer to specify value

#### Mounting / Installation

Assembly	via holes through the back box see operating instruction for full details
----------	--

#### Accessories and Spare Parts

Designation	Figure	Description	Group	Order number	Art. no.	WebCode
Cable gland		Compound Barrier Cable Glands Ex d and Ex e for all Types of Unarmoured Cables	IIB + H <sub>2</sub> and IIC	<b>8163/2-20-PXSS2K-M20</b>	<b>138888</b>	8163J
		Compound Barrier Cable Glands Ex d and Ex e for all Types of Armoured Cables	IIB + H <sub>2</sub> and IIC	<b>8163/2-20-PX2K-M20</b>	<b>138875</b>	8163I

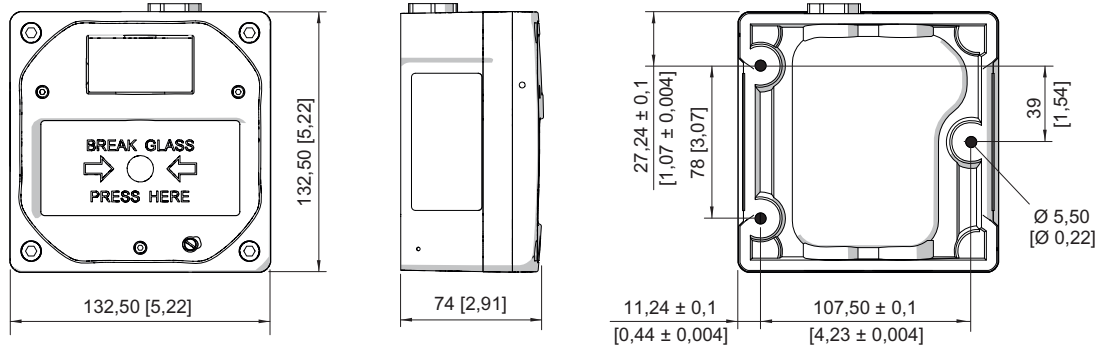
Note Approvals of cable entries have to be observed.

E5

# Flameproof Manual Call Points Series MCP



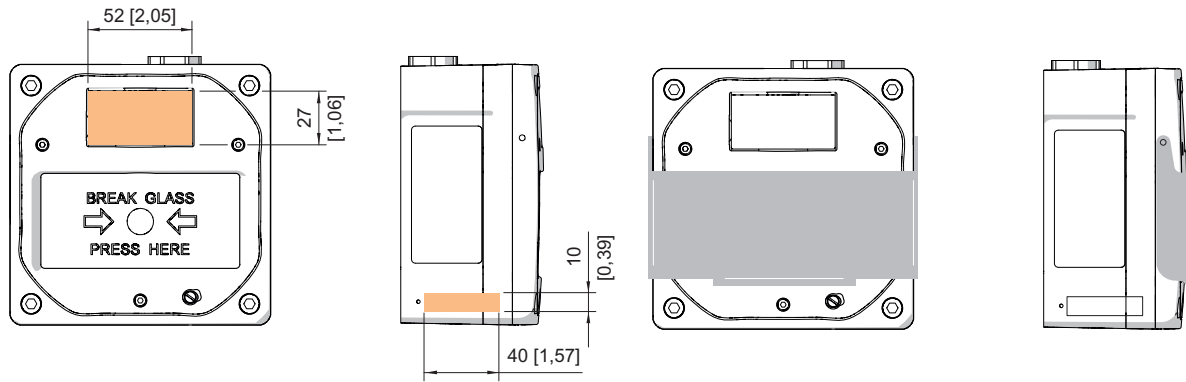
## Dimensional Drawings (All Dimensions in mm [inches]) - Subject to Alterations



13953E00

### Break glass manual call point

#### Accessories



Duty label

Tag label

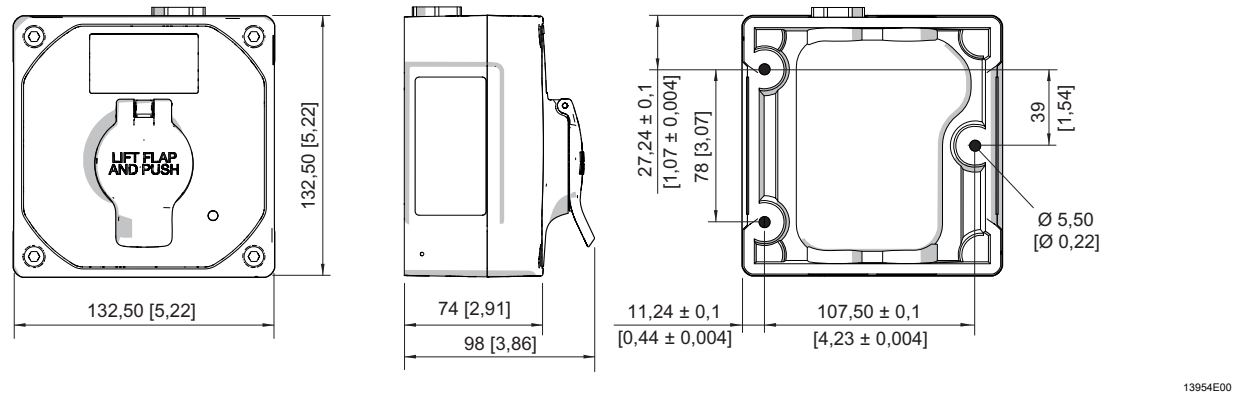
Lift flap

# Flameproof Manual Call Points

## Series MCP

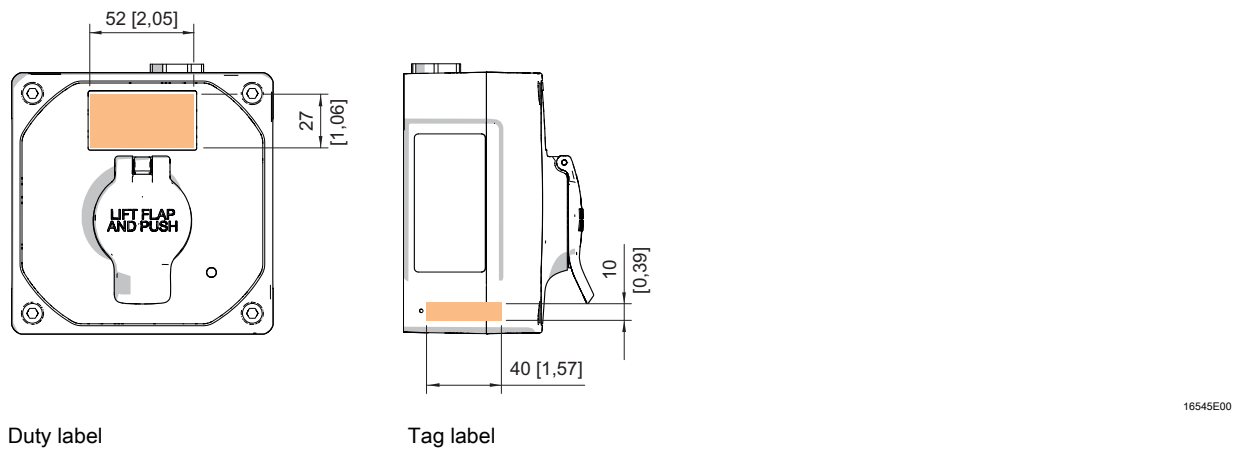


### Dimensional Drawings (All Dimensions in mm [inches]) - Subject to Alterations



### Push button manual call point

#### Accessories



We reserve the right to make alterations to the technical data, dimensions, weights, designs and products available without notice. The illustrations cannot be considered binding.

E5